



SETUP GUIDE

The ZKOO Camera can be connected with ease by following these steps.

- ▶ **INSTALLING THE ZKOO APPLICATION 3**
- ▶ **SETTING UP ZKOO 4**
- ▶ **CONNECTING THE ZKOO..... 7**
- ▶ **USING THE ZKOO APPLICATION..... 9**
- ▶ **POSITIONING THE ZKOO CAMERA..... 10**

▶ INSTALLING THE ZKOO APPLICATION

1

To install the ZKOO application on your Windows PC or Android device, download the installer from:

<http://www.zkoocamera.com/setup>

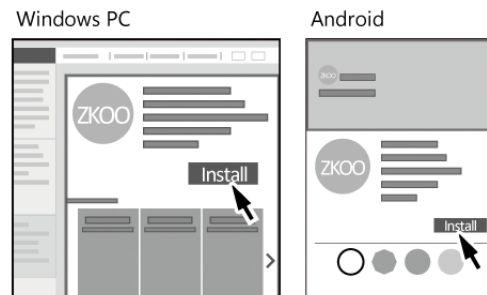
For Android devices, you may download the app directly from the Google Play store (See Step 2).



2

If you are downloading the app from Google Play, search "ZKOO" and locate the ZKOO app.

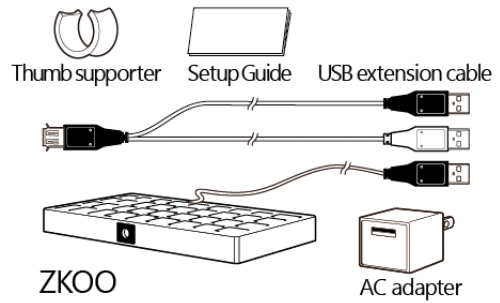
Follow the on-screen instructions to complete installation.



▶ **SETTING UP ZKOO**

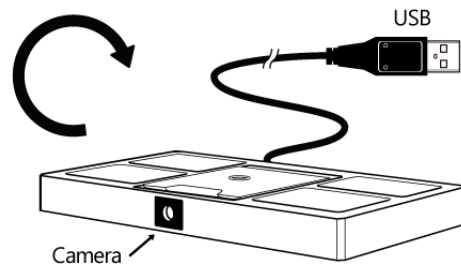
1

Check the contents of the box to ensure no components are missing.



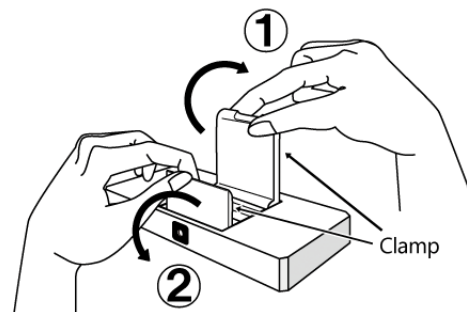
2

Take the ZKOO out of the box and flip it over.



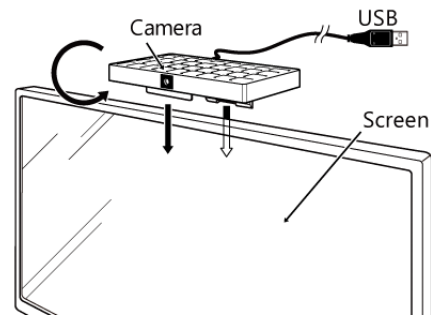
3

Lift open the clamp legs. Start with the long leg ①, then pull out the short leg ②.



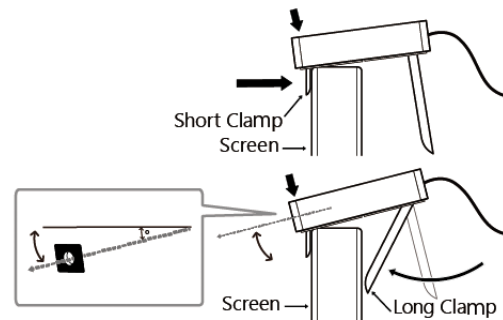
▶ SETTING UP ZKOO**4**

When mounting on top of a TV/monitor, flip over the ZKOO and position it in the middle of the screen.

**5**

First, position the short clamp leg in front of the TV/monitor and adjust it to sit parallel to the screen. Next, push the long clamp leg forward from the back towards the screen until it securely clamps the ZKOO to the TV/monitor.

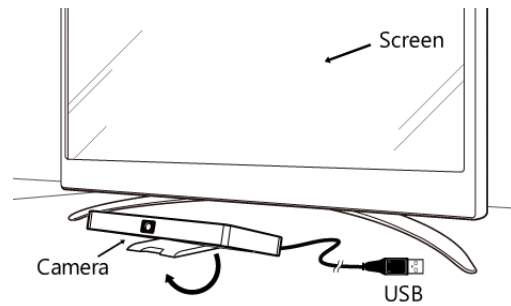
Make any adjustments while viewing the "Camera View" (later in **POSITIONING THE ZKOO CAMERA** section) to ensure the ZKOO is properly positioned.



▶ SETTING UP ZKOO

6

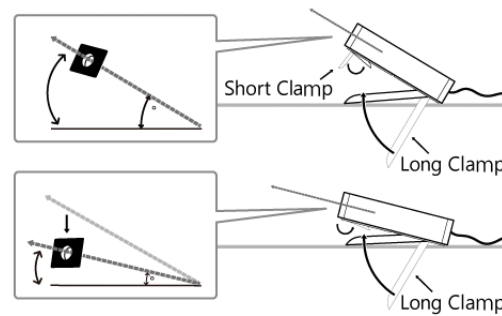
If the TV/monitor does not securely hold the ZKOO, you can place the ZKOO on a flat surface in front of the screen.



7

When setting up the ZKOO in front of the TV/monitor, fold-in the short clamp leg and use the long clamp leg to adjust the positioning of the ZKOO.

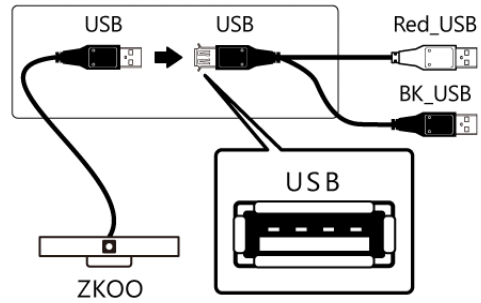
Make any adjustments while viewing the "Camera View" (later in **POSITIONING THE ZKOO CAMERA** section) to ensure the ZKOO is properly positioned.



▶ CONNECTING THE ZKOO

1

Check the contents of the box to ensure no components are missing.

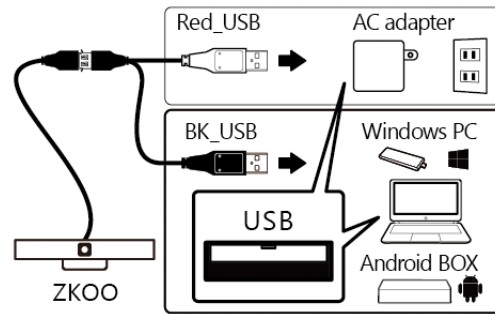


2

Connect the Red USB into the AC adapter and plug it into a power outlet.

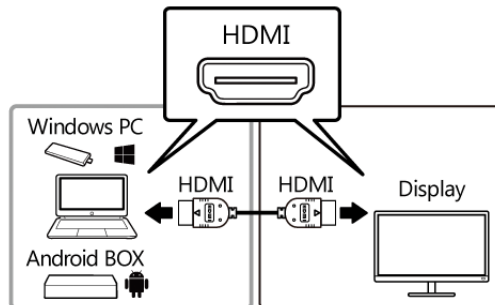
Plug the Black USB into the USB port on your Windows PC or Android device.

Red USB → AC adapter
Black USB → USB port



3

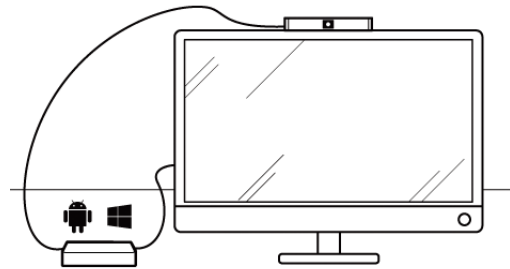
Connect your Windows PC or Android device via HDMI cable to the TV/monitor.



► CONNECTING THE ZKOO**4**

Next, toggle the input source on the TV / monitor until your device screen is displayed.

You are now finished with the setup of ZKOO.

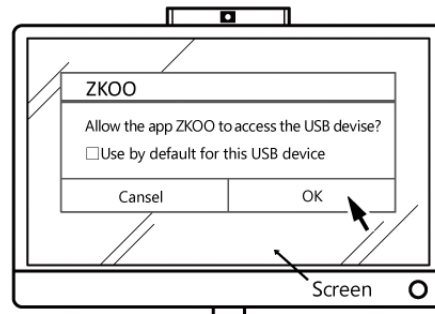


► USING THE ZKOO APPLICATION

1

Launch the ZKOO application.

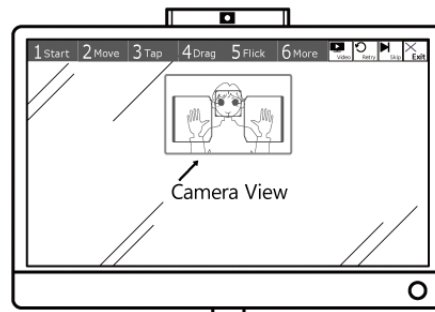
When using the application for the very first time, the Tutorial Application will start automatically. For Android device users, choose “OK” when a pop-up appears requesting for your permission.



2

The ZKOO’s “Camera View” should now show up on the screen.

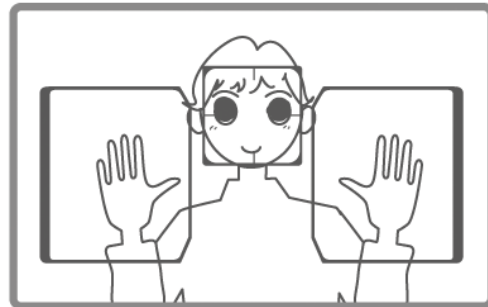
Follow the tutorial to properly align the positioning of the ZKOO camera.



► POSITIONING THE ZKOO CAMERA

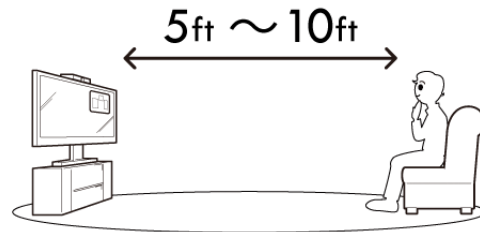
1

When the “Camera View” shows up on the screen, position yourself so your face and hands appear within the view.



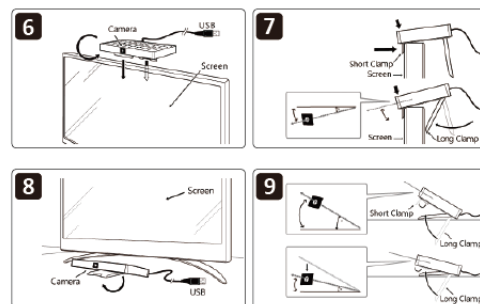
2

Sit approximately 5-10 ft away from the ZKOO for optimal performance.



3

If your face and hands do not appear within the “Camera View”, go back to **SETTING UP ZKOO** Step 4-7 and re-position the ZKOO.



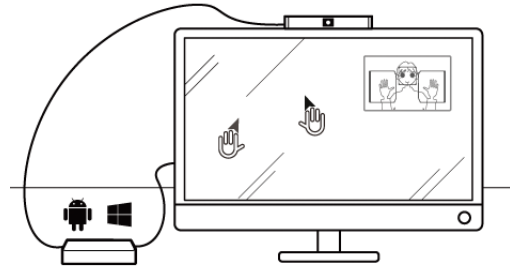
► POSITIONING THE ZKOO CAMERA

4

After completing the tutorial and practicing basic gesture controls, go to

<http://zkoocamera.com>

to find recommended games & apps for the ZKOO. Check back often for the latest news and updates.



Android, Google Play and the Google Play logo are trademarks of Google Inc.

Microsoft and Windows are either registered trademarks or trademarks of Microsoft Corporation in the United States and/or other countries.